



**A CHAU INDUSTRIAL TECHNOLOGY JOINT STOCK COMPANY (ACIT)**



***OPTIMAL SOLUTION  
FOR ELECTRICAL SYSTEM***

[acit.com.vn](http://acit.com.vn)

**ACIT THE OPTIMAL SOLUTION FOR THE ELECTRICAL SYSTEM**

## ACIT THE OPTIMAL SOLUTION FOR THE ELECTRICAL SYSTEM

# Message from the chairman



*Dear our valued customers and partners,*

*Firstly, A Chau Industrial Technology Joint Stock Company (ACIT) would like to send greetings and sincere thanks to our customers and partners for the cooperation so far.*

*ACIT was established on November 21th, 2006 with the goal of creating a professional working environment, supplying high quality technology products with international standards. Currently, the company has 4 electrical equipment manufacturing factories that are invested in modern technology lines, applying the 5S management model.*

*Accompanying with customers and partners, ACIT products have been marked in thousands of nationally important, large-scale works and projects, providing optimal solutions for electrical systems in the fields of Building, Industry, Infrastructure, EVN and Renewable Energy.*

*ACIT was honored to receive Type Test certificate from KEMA International Testing Organization for both 24kV and 40.5kV medium voltage panels and we are the first private company in Vietnam to provide all electrical equipment for a large solar energy project including 500kV substation and Trung Nam Thuan Nam Solar Power Plant with capacity of 400 MWac in Ninh Thuan province.*

*With the achieved position and strategic vision of the Executive Board, a strong financial foundation, a team of disciplined, skilled, enthusiastic, creative and dedicated personnel for the sake of customers and the network of major partners, ACIT will continue making efforts to become a strategic link in the global value chain as a trustworthy brand. We wish to continue receiving support and cooperation from our esteemed customers and partners in the coming time.*

*Sincerely thanks,*

**CHAIRMAN AND GENERAL DIRECTOR**

**PHAM DINH THANG**

*(Signed)*



**OPTIMAL SOLUTION  
FOR THE ELECTRICAL SYSTEM**



**OPTIMAL SOLUTION  
FOR THE ELECTRICAL SYSTEM**

## A. COMPANY NAME

International business name:

A CHAU INDUSTRIAL TECHNOLOGY JOINT STOCK COMPANY

Abbreviated name: A CHAU., JSC (ACIT)

## B. HEADQUARTER

Headquarter: A Chau Group Building, Lot 08 Nguyen Canh Di Street, Dai Kim Ward,  
Hoang Mai District, Hanoi City

Tel: 024.36658382/024.36658812/ Fax: 024.36649647

Website: acit.com.vn

Email: achau@acit.com.vn

Facebook: facebook.com/acit.jsc

Youtube: youtube.com/c/ACHAUJSC

### QUAT DONG FACTORY NO. 01

Address: Lot CN3A, Quat Dong Industrial Zone, Thuong Tin District, Ha Noi City  
Tel: 024.36490361

### QUAT DONG FACTORY NO. 02

Address: Lot CN1B, Quat Dong Industrial Zone, Thuong Tin District, Ha Noi City  
Tel: 024.32009141

### HOA LAC FACTORY NO. 01

Address: Lot CN1-11B-3, CNC1, Hoa Lac Hi-Tech Park, Thach That District, Ha Noi City.  
Tel: 024.73011227 / Fax: 024.32045245

### HOA LAC FACTORY NO. 02

Address: Lot CN1-11B-2, CNC1, Hoa Lac Hi-Tech Park, Thach That District, Ha Noi City.  
Tel: 024.73011227 / Fax: 024.32045245

## C. BUSINESSES

- Manufacturing medium voltage, low voltage panels, substations and cable support system
- Manufacturing protection – control panels, Scada system, substations up to 500kV
- Selling high voltage, medium voltage, low voltage electrical equipment and Busways
- Constructing electrical works, civil works and lighting systems, etc.,
- Investing in renewable energy.



## MEDIUM VOLTAGE PANELS



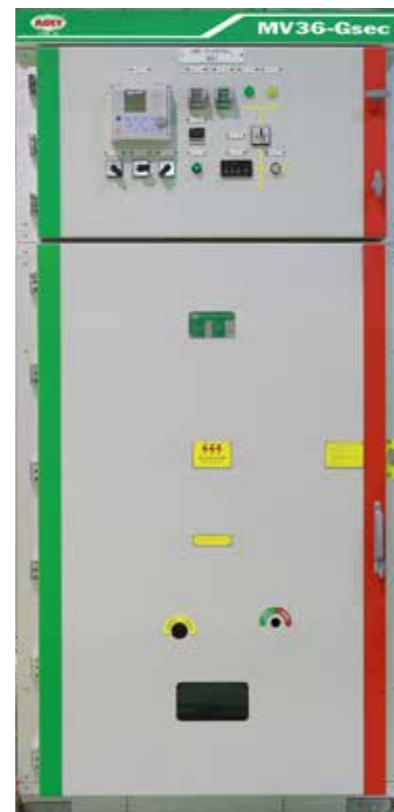


# MV Panels produced by ACIT

MV-Gsec series are medium voltage products of 40.5kV, rated current up to 4000 A, short circuit current capability to 40kA/3s.

The products are designed and produced by ACIT with main equipment supplied by the worldwide well known brands such as ABB, Siemens, Schneider in compliance with the ISO 9001:2015, IEC 62271-200 standards and successfully type tested in KEMA- Netherlands .

MV-Gsec series have been approved for mass installation on the grid by power management authorities.



**OPTIMAL SOLUTION  
FOR THE ELECTRICAL SYSTEM**



### MV36-Gsec Withdrawable 40.5kV

Rated voltage  $U_r$  : 40.5kV  
 Rated current  $I_r$  : up to 2500A  
 IEC Standard : 62271-200



### ACIT-MV36 Fixed type 36kV

Rated voltage  $U_r$  : 36kV  
 Rated current  $I_r$  : up to 1250A  
 IEC Standard : 62271-100





**OPTIMAL SOLUTION  
FOR THE ELECTRICAL SYSTEM**



**OPTIMAL SOLUTION  
FOR THE ELECTRICAL SYSTEM**



**MV24-Gsec/HD4/VD4 Circuit breaker**

Rated voltage  $U_r$  : 24kV  
 Rated current  $I_r$  : up to 1250A  
 IEC Standard : 62271-100



**MV24-Gsec/VD4 Withdrawable**

Rated voltage  $U_r$  : 24kV  
 Rated current  $I_r$  : up to 4000A  
 IEC Standard : 62271-200

**MV24-Gsec/T1 LBS**

Rated voltage  $U_r$  : 24kV  
 Rated current  $I_r$  : up to 630A  
 IEC Standard : 62271-100



**MV24-Gsec/RC**

Rated voltage  $U_r$  : 24kV  
 Rated current  $I_r$  : up to 1250A  
 IEC Standard : 62271-100



**MV24-Gsec/T2F**

Rated voltage  $U_r$  : 24kV  
 Rated current  $I_r$  : up to 630A  
 IEC Standard : 62271-100



**MV24-Gsec/MP Metering**

Rated voltage  $U_r$  : 24kV  
 Rated current  $I_r$  : up to 1250A  
 IEC Standard : 62271-100



**MV12-Gsec Withdrawable Circuit breaker**

Rated voltage  $U_r$  : 12kV  
 Rated current  $I_r$  : up to 4000A  
 IEC Standard : 62271-200



**MV-Evolis Withdrawable Circuit breaker**

Rated voltage  $U_r$  : 3.3kV, 6.3kV, 7.2kV, 12kV  
 Rated current  $I_r$  : up to 4000A  
 IEC Standard : 62271-200



**MV 24kV Capacitor**

Rated voltage  $U_r$  : 3.3kV, 6.3kV, 12kV, 24kV  
 Capacity : up to 1MVAR  
 IEC Standard : 62271-100



**SM6 24kV Schneider**

Rated voltage  $U_r$  : 24kV  
Rated current  $I_r$  : up to 1250A  
IEC Standard : 62271-200



**RM6 24kV Schneider**

Rated voltage  $U_r$  : 24kV  
Rated current  $I_r$  : up to 630A  
IEC Standard : 62271-200



**NEX-17.5/24kV Schneider**

Rated voltage  $U_r$  : 24kV  
Rated current  $I_r$  : up to 2500A  
IEC Standard : 62271-200



**MC Set 24kV Schneider**

Rated voltage  $U_r$  : 24kV  
Rated current  $I_r$  : up to 4000A  
IEC Standard : 62271-200



**PIX 24kV Schneider**

Rated voltage  $U_r$  : 24kV  
Rated current  $I_r$  : up to 4000A  
IEC Standard : 62271-200



**Safeplus 40.5kV ABB**

Rated voltage  $U_r$  : 40.5kV  
Rated current  $I_r$  : up to 630A  
IEC Standard : 62271-100



**Unisec 24kV ABB**

Rated voltage  $U_r$  : 24kV  
Rated current  $I_r$  : up to 1250A  
IEC Standard : 62271-100



**Unigears 24kV ABB**

Rated voltage  $U_r$  : 24kV  
Rated current  $I_r$  : up to 2500A  
IEC Standard : 62271-200



**Safeplus 24kV ABB**

Rated voltage  $U_r$  : 24kV  
Rated current  $I_r$  : up to 630A  
IEC Standard : 62271-100



**Unigears 40.5kV ABB**

Rated voltage  $U_r$  : 40.5kV  
Rated current  $I_r$  : up to 2500A  
IEC Standard : 62271-200



**GIS ZX ABB**

Rated voltage  $U_r$  : 24kV, 40.5kV  
Rated current  $I_r$  : up to 2500A  
IEC Standard : 62271-200



## LOW VOLTAGE PANELS



### BlokSeT



#### General data

Standards: IEC 61439-1/-2, IEC 61921, IEC TR 61641, IEC 60529, IEC 60068-2-11, IEC 60721-3-3 & IEC 61000-x-x

#### Electrical data

Rated insulation voltage  $U_i$  (V AC): 1000  
 Rated operation voltage  $U_e$  (V AC): 690  
 Rated impulse withstand voltage  $U_{imp}$  (kV): 12  
 Frequency (Hz): 50/60  
 Main busbar rated current max.  $I_e$  (A): 7000  
 Rated short-time withstand current  $I_{cw}$  (kA/1 s.): 100  
 Rated peak withstand current  $I_{pk}$  (kA): 220  
 Prospective short-circuit current  $I_{cc}$  (kA): 100

#### Mechanical data

Form of separation Up to Form 4b  
 Withdrawability FFF/WWW  
 Degree of protection IP30/ IP42/ IP54



### PrismaSeT



#### General data

Standards IEC 61439-1 and 2, IEC 60529, IEC 60695

#### Electrical data

Rated insulation voltage  $U_i$  (V AC): 1000  
 Rated operation voltage  $U_e$  (V AC): 690  
 Rated impulse withstand voltage  $U_{imp}$  (kV): 12  
 Frequency (Hz): 50/60  
 Main busbar rated current max.  $I_e$  (A) 3200/4000/4250 /it.  
 Rated short-time withstand current  $I_{cw}$  (kA/1 s.): 100 (With Linergy)  
 Rated peak withstand current  $I_{pk}$  (kA): 220  
 Prospective short-circuit current  $I_{cc}$  (kA): 70

#### Mechanical data

Form of separation Up to Form 4b  
 Withdrawability FFF  
 Degree of protection IP30/ IP31/ IP42/ IP54





### SEN Plus

#### General data

Standards IEC 61439-1 and 2, IEC TR 61641

#### Electrical data

Rated insulation voltage  $U_i$  (V AC): 1000

Rated operation voltage  $U_e$  (V AC): 690

Rated impulse withstand voltage  $U_{imp}$  (kV): 8

Frequency (Hz): 50/60

Main busbar rated current max.  $I_e$ (A): 6700

Rated short-time withstand current  $I_{cw}$  (kA/1 s.): 100

Rated peak withstand current  $I_{pk}$  (kA): 220

Prospective short-circuit current  $I_{cc}$  (kA): 100

#### Mechanical data

Form of separation Up to Form 4b

Withdrawability FFF/WWW

Degree of protection IP30/ IP42/ IP54



Low voltage panels



### MSB panels up to 6300A

Rated voltage  $U_r$  : 690V  
Rated current  $I_r$  : up to 6300A  
IEC Standard : 61439-1



### MSB panels up to 4000A

Rated voltage  $U_r$  : 690V  
Rated current  $I_r$  : up to 4000A  
IEC Standard : 61439-1



### MSB panels up to 2500A

Rated voltage  $U_r$  : 690V  
Rated current  $I_r$  : up to 2500A  
IEC Standard : 61439-1



### Distribution panels

Rated voltage  $U_r$  : 690V  
Rated current  $I_r$  : up to 2000A  
IEC Standard : 61439-1



### Pillar panels

Rated voltage  $U_r$  : 690V  
Rated current  $I_r$  : up to 630A  
IEC Standard : 61439-1



### Lightning panels

Rated voltage  $U_r$  : 690V  
Rated current  $I_r$  : up to 250A  
IEC Standard : 61439-1



**SYN panels**

Rated voltage  $U_r$  : 690V  
Rated current  $I_r$  : up to 8000A  
IEC Standard : 61439-1



**ATS panels**

Rated voltage  $U_r$  : 690V  
Rated current  $I_r$  : up to 6300A  
IEC Standard : 61439-1



**Capacitor panels**

Rated voltage  $U_r$  : 690V  
Capacity : up to 1500KVAR  
IEC Standard : 61439-1



**Motor Control panels**

Rated voltage  $U_r$  : 690V  
Power : up to 450kW  
IEC Standard : 61439-1



**Soft Started panels**

Rated voltage  $U_r$  : 690V  
Power : up to 450kW  
IEC Standard : 61439-1



**Control desk panels**

Rated voltage  $U_r$  : 690V  
Rated current  $I_r$  : up to 630A  
IEC Standard : 61439-1



## Low voltage panels



ACIT THE OPTIMAL SOLUTION FOR THE ELECTRICAL SYSTEM

### Inverter panels

Rated voltage  $U_r$  : 690V  
Power : up to 450kW  
IEC Standard : 61439-1



### Fire Control panels

Rated voltage  $U_r$  : 690V  
Power : up to 200kW  
IEC Standard : 61439-1



### Control and protection panels

Rated voltage  $U_r$  : up to 220VAC/DC  
Rated current  $I_r$  : 1A/5A  
IEC Standard : 61439-1



## Low voltage panels



ACIT THE OPTIMAL SOLUTION FOR THE ELECTRICAL SYSTEM

### AC-DC supply panels

Rated voltage  $U_r$  : 220VAC/DC  
Rated current  $I_r$  : up to 630A  
IEC Standard : 61439-1



### Battery charger

Rated voltage  $U_r$  : up to 220VDC  
Rated current  $I_r$  : up to 200A  
IEC Standard : 61439-1



### Rack enclosure

Number of rack unit : 42U, 32U, 27U, 20U  
Provided equipment :  
Baying hardware  
Key(s)  
Keyed-alike doors and side panels  
Leveling feet  
Mounting hardware  
Pre-installed casters  
Side panels



# ELECTRICAL EQUIPMENT



### Oil Immersed Transformer

Rated voltage  $U_r$  : 24kV, 35kV, up to 500kV  
 Rated power : up to 900MVA  
 Standard : IEC, 8525-2015, 1011.



### ABB/Siemens Cast Resin Dry type Transformer

Rated voltage  $U_r$  : 24kV, 35kV  
 Rated power : 3150KVA  
 Standard : IEC, 8525-2015...



### Schneider Cast Resin Dry Transformer

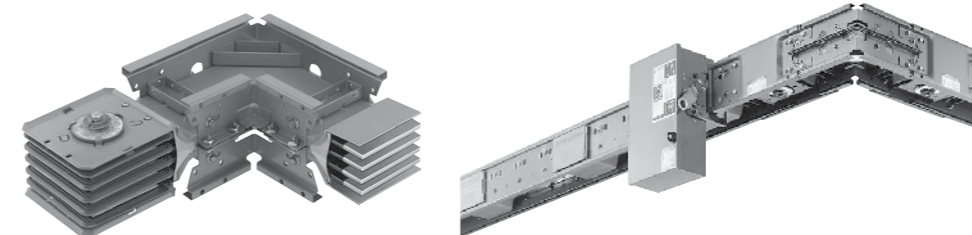
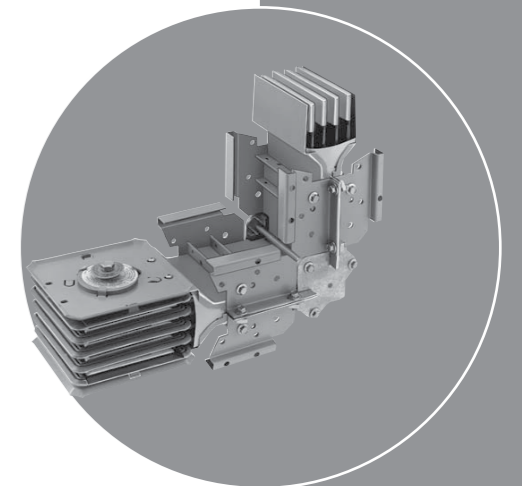
Rated voltage  $U_r$  : 24kV, 35kV  
 Rated power : 3150KVA  
 Standard : IEC, 8525-2015...



## BUSDUCT

Hệ thống thanh dẫn Busway

**Ampere rating:** 630-6300A  
**IP rating:** IP41-IP67  
**System:** 3L+N+PE/ 3L+PE  
**Operation voltage:** 1000V  
**Insulation voltage:** 1000V  
**Frequency:** 50/60Hz  
**Standard Length:** 10 feet  
**Finish:** ANSI49  
**Neutral capacity:** 100% as phase bar  
**Earth bar:** 50% capacity, intergral/ internal



### Busduct Accessories

### Oil Immersed Transformer

Rated voltage  $U_r$  : 24kV, 35kV, up to 500kV  
 Rated power : up to 900MVA  
 Standard : IEC, 8525-2015, 1011.



### ABB/Siemens Cast Resin Dry type Transformer

Rated voltage  $U_r$  : 24kV, 35kV  
 Rated power : 3150KVA  
 Standard : IEC, 8525-2015...



### Schneider Cast Resin Dry Transformer

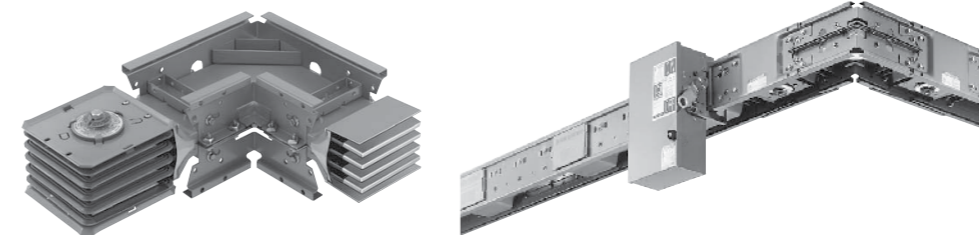
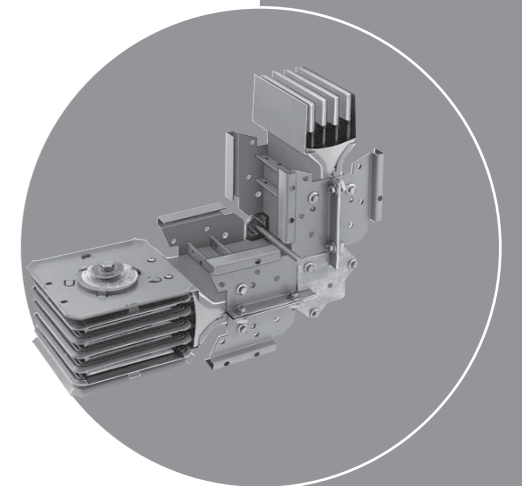
Rated voltage  $U_r$  : 24kV, 35kV  
 Rated power : 3150KVA  
 Standard : IEC, 8525-2015...



## BUSDUCT

Hệ thống thanh dẫn Busway

**Ampere rating:** 630-6300A  
**IP rating:** IP41-IP67  
**System:** 3L+N+PE/ 3L+PE  
**Operation voltage:** 1000V  
**Insulation voltage:** 1000V  
**Frequency:** 50/60Hz  
**Standard Length:** 10 feet  
**Finish:** ANSI49  
**Neutral capacity:** 100% as phase bar  
**Earth bar:** 50% capacity, intergral/ internal



### Busduct Accessories

# SUBSTATIONS





Build Substation

**Kiosk substation**

Rated voltage  $U_r$  : 24kV, 40.5kV  
Rated current  $S_r$  : up to 630A  
IEC Standard : 61330



**One pillar substation**

Rated voltage  $U_r$  : 24kV, 40.5kV  
Rated current  $S_r$  : up to 1500KVA  
Standard : TCVN



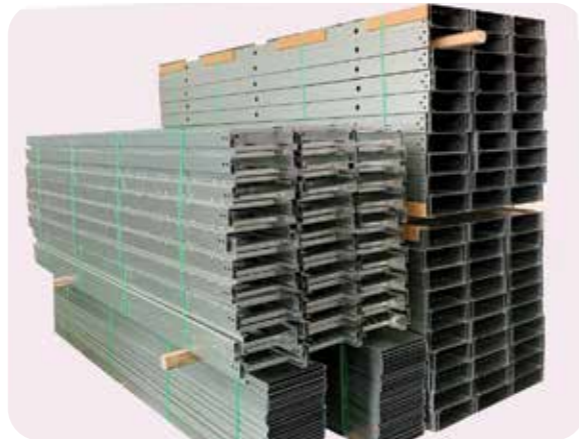
**Outdoor substation**

Rated voltage  $U_r$  : 24kV, 40.5kV  
Rated current  $S_r$  : up to 1000KVA  
Standard : TCVN



# CABLE SUPPORT SYSTEM AND ACCESSORIES



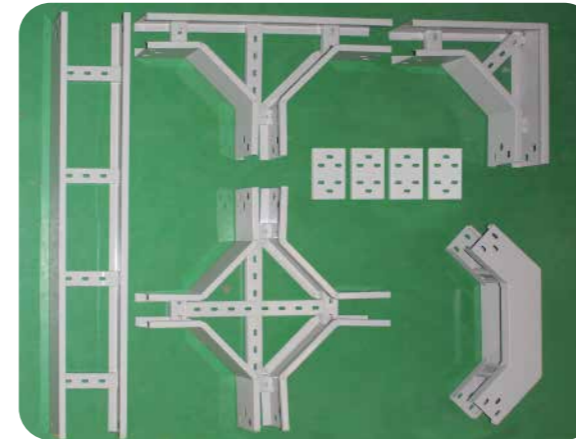


Cable tray and accessoires

CODE	WIDTH	HEIGHT	LENGTH	THICKNESS
ACIT-CT50	50	50, 75, 100, 125, 150	2.500-3.000	1.2-1.5
ACIT-CT100	100	50, 75, 100, 125, 150	2.500-3.000	1.2-1.5
ACIT-CT150	150	50, 75, 100, 125, 150	2.500-3.000	1.2-1.5
ACIT-CT200	200	50, 75, 100, 125, 150	2.500-3.000	1.5
ACIT-CT300	300	50, 75, 100, 125, 150	2.500-3.000	1.5
ACIT-CT400	400	50, 75, 100, 125, 150	2.500-3.000	2
ACIT-CT500	500	50, 75, 100, 125, 150	2.500-3.000	2
ACIT-CT600	600	50, 75, 100, 125, 150	2.500-3.000	2.0-2.5
ACIT-CT700	700	50, 75, 100, 125, 150	2.500-3.000	2.0-2.5
ACIT-CT800	800	50, 75, 100, 125, 150	2.500-3.000	2.0-2.5
ACIT-CT900	900	50, 75, 100, 125, 150	2.500-3.000	2.0-2.5
ACIT-CT1000	1000	50, 75, 100, 125, 150	2.500-3.000	2.0-2.5
ACIT-CT1200	1200	50, 75, 100, 125, 150	2.500-3.000	2.0-2.5

Descriptions	CODE
Horizontal Elbow	CT-HE
Vertical Elbow	CT-VE
Tee Cable Tray	CT-TC
Reducer Cable Tray	CT-RC
Four way Cable Tray	CT-FW

(\*) Customized products



Cable ladder and accessoires

CODE	WIDTH	HEIGHT	LENGTH	THICKNESS
ACIT-CL200	200	50, 75, 100, 125, 150	2.500-3.000	1.5
ACIT-CL300	300	50, 75, 100, 125, 150	2.500-3.000	1.5
ACIT-CL400	400	50, 75, 100, 125, 150	2.500-3.000	2
ACIT-CL500	500	50, 75, 100, 125, 150	2.500-3.000	2
ACIT-CL600	600	50, 75, 100, 125, 150	2.500-3.000	2.0-2.5
ACIT-CL700	700	50, 75, 100, 125, 150	2.500-3.000	2.0-2.5
ACIT-CL800	800	50, 75, 100, 125, 150	2.500-3.000	2.0-2.5
ACIT-CL900	900	50, 75, 100, 125, 150	2.500-3.000	2.0-2.5
ACIT-CL1000	1000	50, 75, 100, 125, 150	2.500-3.000	2.0-2.5
ACIT-CL1200	1200	50, 75, 100, 125, 150	2.500-3.000	2.0-2.5
ACIT-CL1300	1300	50, 75, 100, 125, 150	2.500-3.000	2.0-2.5
ACIT-CL1500	1500	50, 75, 100, 125, 150	2.500-3.000	2.0-2.5
ACIT-CL1800	1800	50, 75, 100, 125, 150	2.500-3.000	2.0-2.5

Descriptions	CODE
Horizontal Elbow	CL-HE
Vertical Elbow	CL-VE
Tee Cable Tray	CL-TC
Reducer Cable Tray	CL-RC
Four way Cable Tray	CL-FW

(\*) Customized products

# TYPICAL PROJECTS

ACIT THE OPTIMAL SOLUTION FOR THE ELECTRICAL SYSTEM



## MINISTRY OF FOREIGN AFFAIRS BUILDING PROJECT

**Address:** Nam Tu Liem district, Hanoi city.

**Investor:** Ministry of Foreign Affairs.

**Item:** Supply of medium voltage electrical panels, transformers, busway system and accessories



## THE NATIONAL ASSEMBLY HOUSE PROJECT

**Address:** Ba Dinh district, Hanoi city.

**Investor:** Ministry of Construction.

**Item:** Supply and installation of medium voltage panels, dry transformers, low voltage panels



### NEW CONSTRUCTION PROJECT OF THE SECOND FACILITY OF VIET DUC HUU NGHI HOSPITAL

**Address:** Phu Ly City, Ha Nam.

**Investor:** Key Medical Project Management Unit - Ministry of Health.

**Item:** MSB panels, DB panels.



### DEO CA ROAD TUNNEL PROJECT

**Address:** Highway 1, Phu Yen and Khanh Hoa provinces.

**Investor:** Deo Ca Investment Joint Stock Company.

**Item:** Supply of medium voltage integrated system, power transformers, low voltage panels, power cables, cable ladders and lighting system.



### NEW CONSTRUCTION PROJECT OF THE SECOND FACILITY OF BACH MAI HOSPITAL

**Address:** Phu Ly City, Ha Nam Province.

**Investor:** Key Medical Project Management Unit - Ministry of Health.

**Item:** MSB switchgears, DB switchgears, transformers, low voltage panels



### CU MONG ROAD TUNNEL PROJECT

**Address:** Highway 1, Phu Yen and Khanh Hoa provinces.

**Investor:** Deo Ca Investment Joint Stock Company.

**Item:** Supplying and installing power source equipment system (from 110kV substation to SS1), building electrical system, lighting and ventilation.



**VINFAST AUTO FACTORY PROJECT**  
**Address:** Dinh Vu Industrial Park, Cat Hai District, Hai Phong City.  
**Investor:** Vingroup.  
**Item:** Supply of medium voltage panels, low voltage DB panels, transformers.

**VINGROUP PROJECTS**

(Times City, Royal City, Vinmec, Vincom Village, Vinhomes Westpoint, Vinhomes Grand Park, Vinhomes Ocean Park, Vinhomes Smart City, Grand World Phu Quoc...)  
**Investor:** Vingroup.  
**Item:** Supply of medium voltage panels system, circuit breakers, installation of SCADA system, low voltage panels.

**HANWHA AIRCRAFT ENGINE FACTORY PROJECT**

**Address:** Hoa Lac High-Tech Park, Hanoi City.  
**Investor:** Hanwha Aero Engines CO., LTD  
**Item:** Supplying medium voltage panels, low voltage panels, MSB and DB panels.





### YEN PHONG 5 - BAC NINH 110KV SUBSTATION PROJECT (SUPPLYING POWER TO SAMSUNG DISPLAY BAC NINH FACTORY)

**Address:** Yen Phong district, Bac Ninh province.

**Investor:** Bac Ninh Power Company - Northern Power Corporation.

**Item:** Design, supply and installation of substation equipment, construction of substations.

### HOA HOI 220KV SUBSTATION PROJECT - PHU YEN (HOA HOI SOLAR POWER PLANT)

**Address:** Phu Hoa District, Phu Yen Province.

**Investor:** Truong Thanh Group.

**Item:** EPC General Contractor (220kV substation and transmission line).





### BAU ZON SOLAR POWER PLANT PROJECT

**Address:** Ninh Phuoc district, Ninh Thuan province.

**Investor:** TT.Sunglim Solar Energy Limited Company.

**Item:** Design, supply of technology equipment and construction.



### TRUNG NAM THUAN NAM 500KV SUBSTATION PROJECT

**Address:** Thuan Nam District, Ninh Thuan Province.

**Investor:** Trung Nam Construction Investment Joint Stock Company (Trung Nam Group).

**Item:** Supplying all equipment for 500kV substation.



### VAN PHONG - KHANH HOA 500kV SUBSTATION PROJECT

**Address:** Ninh Hoa Town, Khanh Hoa Province

**Owner:** National Power Transmission Corporation

**Item:** Supply of two 500kV/900 MVA transformers, all primary equipment of 500kV, 220kV, busbar connection systems.





ACIT is the leading company in Vietnam providing energy development solutions with international standards. During our development, ACIT always achieves stable revenue growth over the years. With the willingness of learning, innovating and a team of competent, responsible, creative, wholehearted employees for the sake of customers, ACIT has been continuing making efforts to bring optimal solutions to the electrical system, proving its pioneering role, being an essential and indispensable link in the development of energy solutions in Vietnam and introducing high quality products of Vietnam to the international market.





ACIT has built a strong foundation for the growth during the past 17 years by participating in the electrical equipment manufacturing sector, with the goal of becoming a leading company in Vietnam providing optimal solutions in the development of electrical energy in the country as well as in the international market. Currently, ACIT owns 4 manufacturing factories in Quat Dong Industrial zone and Hoa Lac High-Tech Park. In particular, ACIT has applied 4.0 technology, 5S management model, ISO 9001:2015, ISO 14001:2015 quality management system into production in order to bring the market high quality products, which are internationally recognized by Type Test certificate of Kema organization, one of the three most prestigious testing and inspection organizations in the 01 world.



# LIST OF OUR PARTNERS





## A CHAU INDUSTRIAL TECHNOLOGY JOINT STOCK COMPANY (ACIT)

### HEADQUARTER

A Chau Group Building, Lot 08 Nguyen Canh Di Street, Dai Kim Ward, Hoang Mai District, Hanoi City

Tel: 024.36658382/024.36658812/ Fax: 024.36649647

Website: [acit.com.vn](http://acit.com.vn) Email: [achau@acit.com.vn](mailto:achau@acit.com.vn)

Facebook: [facebook.com/acit.jsc](https://facebook.com/acit.jsc)

Youtube: [youtube.com/c/ACHAUJSC](https://youtube.com/c/ACHAUJSC)

### QUAT DONG FACTORY NO. 01

Address: Lot CN3A, Quat Dong Industrial Zone, Thuong Tin District, Ha Noi City

Tel: 024.36490361

### QUAT DONG FACTORY NO. 02

Address: Lot CN1B, Quat Dong Industrial Zone, Thuong Tin District, Ha Noi City

Tel: 024.32009141

### HOA LAC FACTORY NO. 01

Address: Lot CN1-11B-3, CNC1, Hoa Lac Hi-Tech Park, Thach That District, Ha Noi City.

Tel: 024.73011227 / Fax: 024.32045245

### HOA LAC FACTORY NO. 02

Address: Lot CN1-11B-2, CNC1, Hoa Lac Hi-Tech Park, Thach That District, Ha Noi City.

Tel: 024.73011227 / Fax: 024.32045245

